

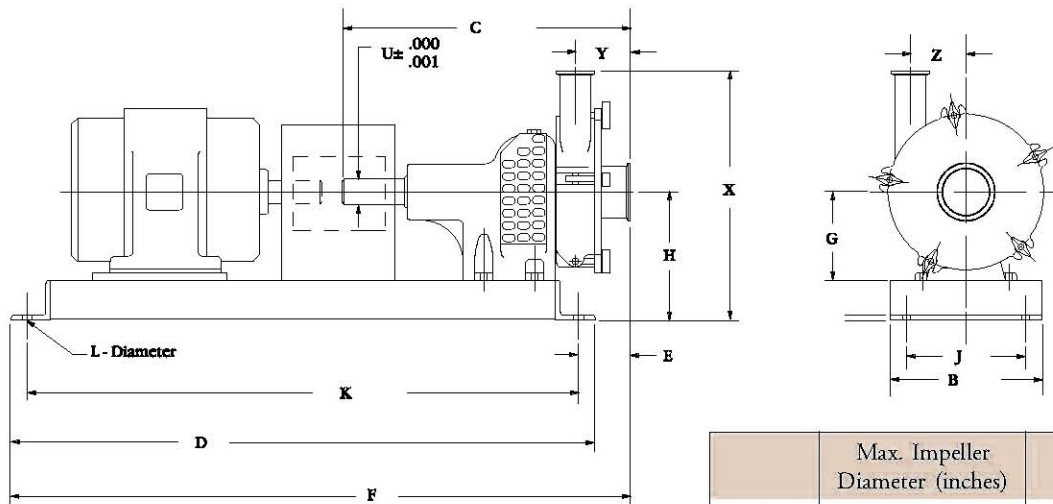
# ZM Technologies

## Dimensions

Dimensions are approximate and for guidance only. On applications where exact dimensions are required, request a certified print from Zmt, Inc. Keyslot Information: Model 3EH - "B" Woodruff Key  $5/16$ " wide.

Model 4EH - "C" Woodruff Key  $3/8$ " wide.

- ① Tri-Clamp® Connections
- ② Threaded Bevel Seat Connections
- ③ A.S.A. 150# Raised Face Flanged Connections.



	Max. Impeller Diameter (inches)	Max. Capacity (at 1750 rpm)
3EH	11 $1/4$	to 145' Hd, 600 gpm
4EH	13 $9/16$	to 194' Hd, 1000 gpm

### 3EH

### 4EH

	254T 256T	213T 215T	254T 256T	284T 286T	324T	254T 256T	284T 286T	324T 326T	364T
E <sup>①</sup>	2 $7/8$	3 $5/32$	3 $17/32$	3 $17/32$	3 $11/32$	4 $3/8$	4 $3/8$	4 $3/8$	4 $3/8$
E <sup>②</sup>	2 $7/8$	3 $5/32$	3 $17/32$	3 $17/32$	3 $11/32$	4 $5/16$	4 $5/16$	4 $5/16$	4 $5/16$
E <sup>③</sup>	3 $13/16$	4 $3/32$	4 $15/32$	4 $15/32$	4 $9/32$	4 $1/4$	4 $1/4$	4 $1/4$	4 $1/4$
F <sup>①</sup>	43 $5/8$	41 $29/32$	46 $9/32$	46 $9/32$	52 $9/32$	50 $5/16$	54 $5/16$	54 $5/16$	64 $5/16$
F <sup>②</sup>	43 $5/8$	41 $29/32$	46 $9/32$	46 $9/32$	52 $9/32$	50 $1/4$	54 $1/4$	54 $1/4$	64 $1/4$
F <sup>③</sup>	44 $9/16$	42 $27/32$	47 $7/32$	47 $7/32$	53 $7/32$	50 $3/16$	54 $3/16$	54 $3/16$	64 $3/16$
H	9 $1/4$	9 $1/8$	10 $1/4$	10	12	14	14	14	13
J	12 $1/2$	11 $1/2$	14	13	15	14	18	18	20
K	39 $1/2$	37 $1/2$	41 $1/2$	41 $1/2$	47 $7/8$	44 $7/8$	48 $7/8$	48 $7/8$	58 $7/8$
L	3/4	3/4	1 $1/16$	3/4	7/8	7/8	7/8	7/8	7/8
B	15 $1/4$	15 $1/4$	16 $3/4$	16 $1/4$	17 $3/4$	16 $3/4$	20 $3/4$	20 $3/4$	23 $3/4$
D	42	40	44	44	50	47	51	51	61
G	6 $1/4$	6 $1/8$	6 $1/4$	7	8	9	9	9	9

Inlet	Outlet	C <sup>①</sup>	C <sup>②</sup>	C <sup>③</sup>	Y <sup>①</sup>	Y <sup>②</sup>	Y <sup>③</sup>	X <sup>①</sup>	X <sup>②</sup>	X <sup>③</sup>	Z	U	
3EH	4	3	20 $11/32$	20 $11/32$	21 $7/32$	3 $27/32$	3 $27/32$	4 $23/32$	9 $1/4$	9 $1/4$	10 $3/16$	4 $17/32$	1 $3/8$
4EH	6	4	25 $11/32$	25 $9/32$	25 $7/32$	4 $29/32$	4 $27/32$	4 $25/32$	10 $7/8$	10 $13/32$	10 $3/4$	5 $1/4$	1 $11/16$